



EvControl Panel Controls Schematic Plan Electric Vehicle Charging System

Notes

EvControl Enclosure

Installing electrician will:

- A. Mount EvControl Enclosure on interior wall inside building.
- B. Provide and install incoming 120V 15 A to terminal blocks inside NEMA 1 EvControl Enclosure (provided by Controls Contractor).
- C. Mount EvControl panel at location that allows cellular antenna to be routed to exterior wall of building. Route antenna cable from antenna to EvControl enclosure.
- D. Mount Cellular antenna on exterior wall of building or on mast. Note that antenna cable length is 16.5'.
- E. Electrician will provide and install 120V 15Amp service and install CAT 5 cable in conduit from EvControl panel to power meter installed in electrical distribution panel.
- F. IT IS CRITICAL THAT THE CONTROLS ENCLOSURE BE GROUNDED IN COMMON WITH THE ADJACENT CLIPPER CREEK CHARGE STATIONS.
- G. Route 5 each 22/7 (if cable run < 120' or 20/7 if cable run is > 120') solid or stranded copper bundles from terminal blocks inside enclosure to terminals in the Clipper Creek charger control boards.
- H. Install 5 each single phase CTs to the L1 connection to each charger. This CT may be installed at any location, and the CT leads shall be terminated inside the EvControl enclosure.
- I. Connect CAT 5 cable between Edge 534 and Dent Meter.

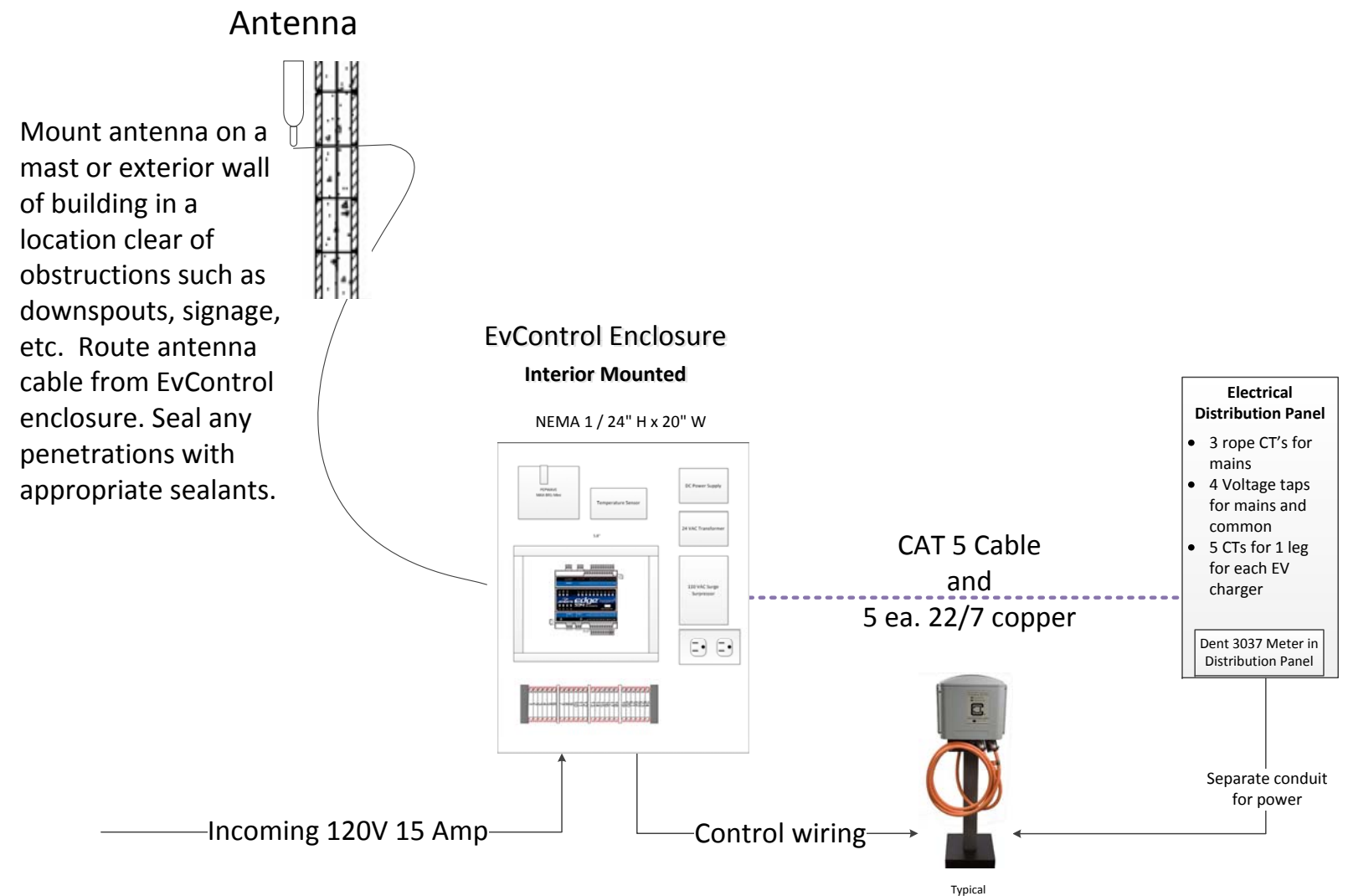
Controls Contractor will:

- J. Control Contractor will supply components as per Bill of Material.

DENT Meter

Installing electrician will:

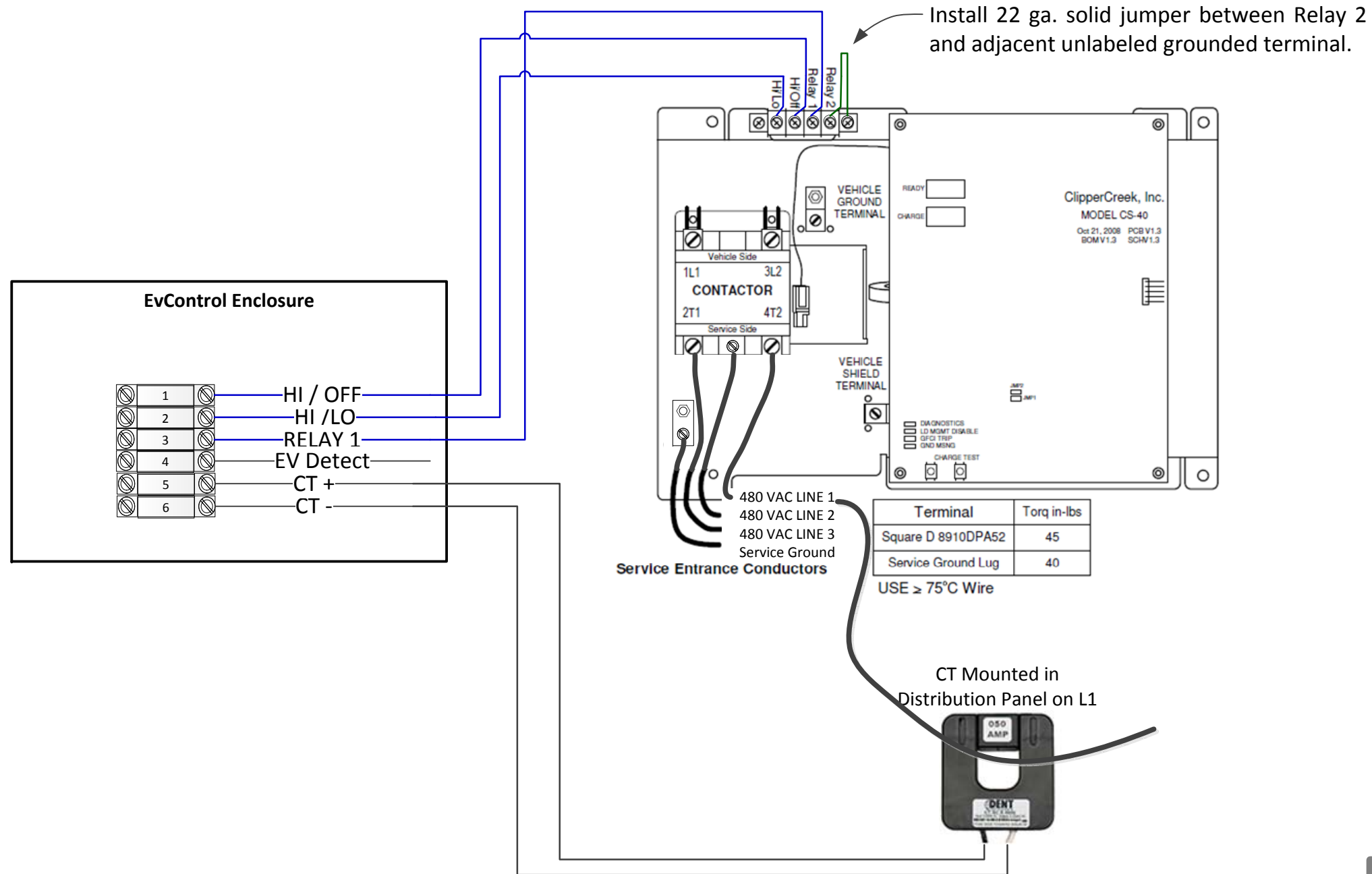
- K. Install CTs and voltage feeds to Dent PowerScout 3037 meter. Use provided CT lead wires. Provide and install wire as needed to connect primary and common taps.
- L. Install in conduit Ethernet cable.



JWA Enterprises dba Control Dynamix
7525 Princeton Trace NE
Atlanta GA 30328
770 335 2635

Page 1 of 6
Prepared by: JAA
5/29/2018

EvControl Panel Typical EV Charge Station Wiring



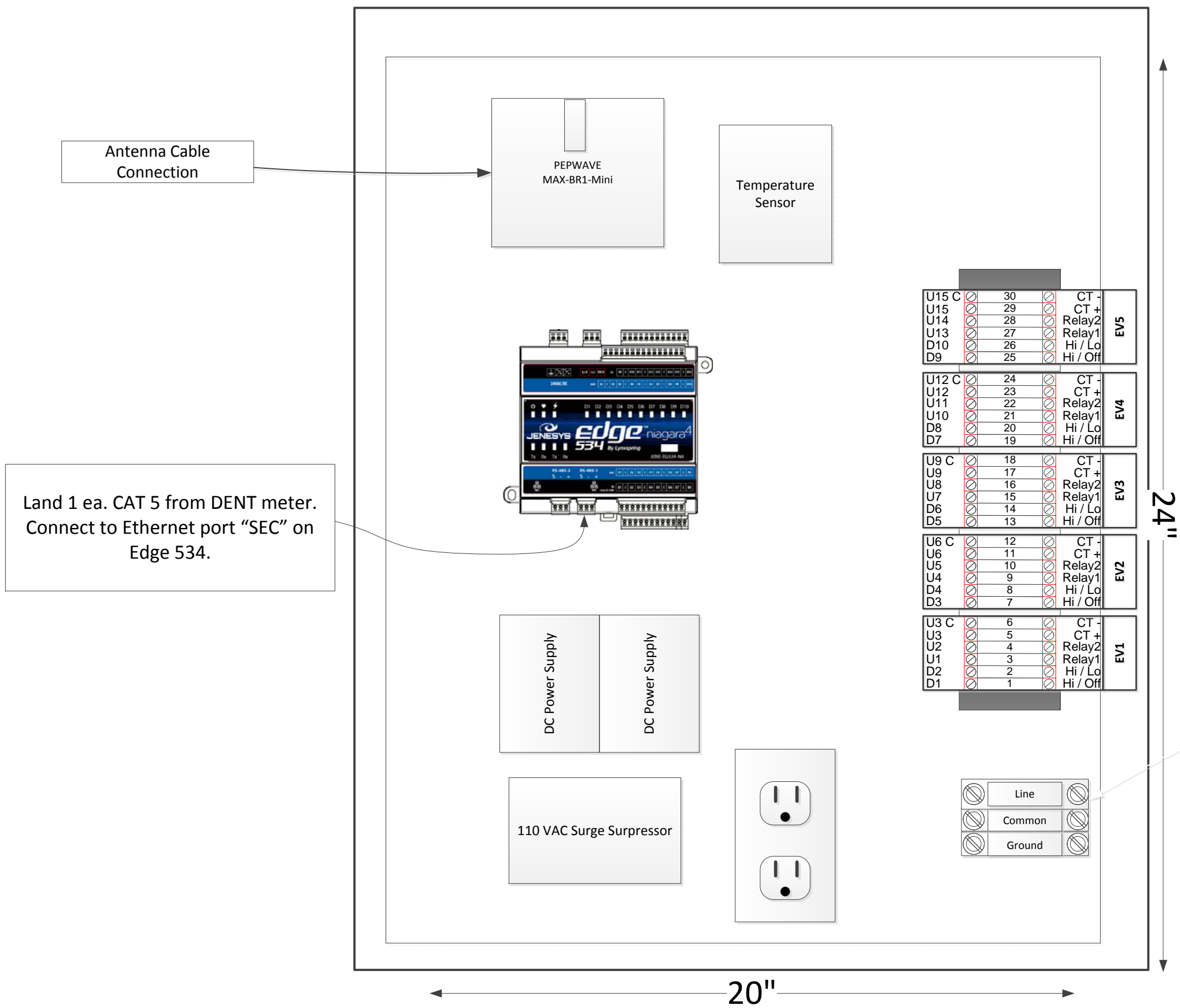
ELECTRICIAN SHALL:

- A)** Provide and install wiring between control terminals in Clipper Creek Charger and EvControl Panel.
- B)** 22/7 or 20/7 Thermostat Wire, Gauge Solid or Stranded Copper is acceptable for connections to Clipper Creek Charger runs of less than 120'. Use 20/7 for cable runs > 120'. (Extra strands for future use.)
- C)** 18 Gauge Wiring to CTs shall be rated as required by code.
- D)** IT IS CRITICAL THAT THE CONTROLS ENCLOSURE BE GROUNDED IN COMMON WITH THE ADJACENT CLIPPER CREEK CHARGE STATIONS.
- E)** All wiring nodes to be field confirmed by installer and are based on equipment type as listed on this drawing.



JWA Enterprises dba Control Dynamix
7525 Princeton Trace NE
Atlanta GA 30328
770 335 2635


EvControl Panel JENE Control Enclosure



IMPORTANT NOTE TO INSTALLER:

Prior to drilling holes for conduit, cover or remove perforated backplane from from enclosure to prevent metal shavings from entering any components during installation.

Connect 120 VAC / Ground in common with Clipper Creek Chargers.



JWA Enterprises dba Control Dynamix
 7525 Princeton Trace NE
 Atlanta GA 30328
 770 335 2635

Page 3 of 6
 Prepared by: JAA
 5/29/2018

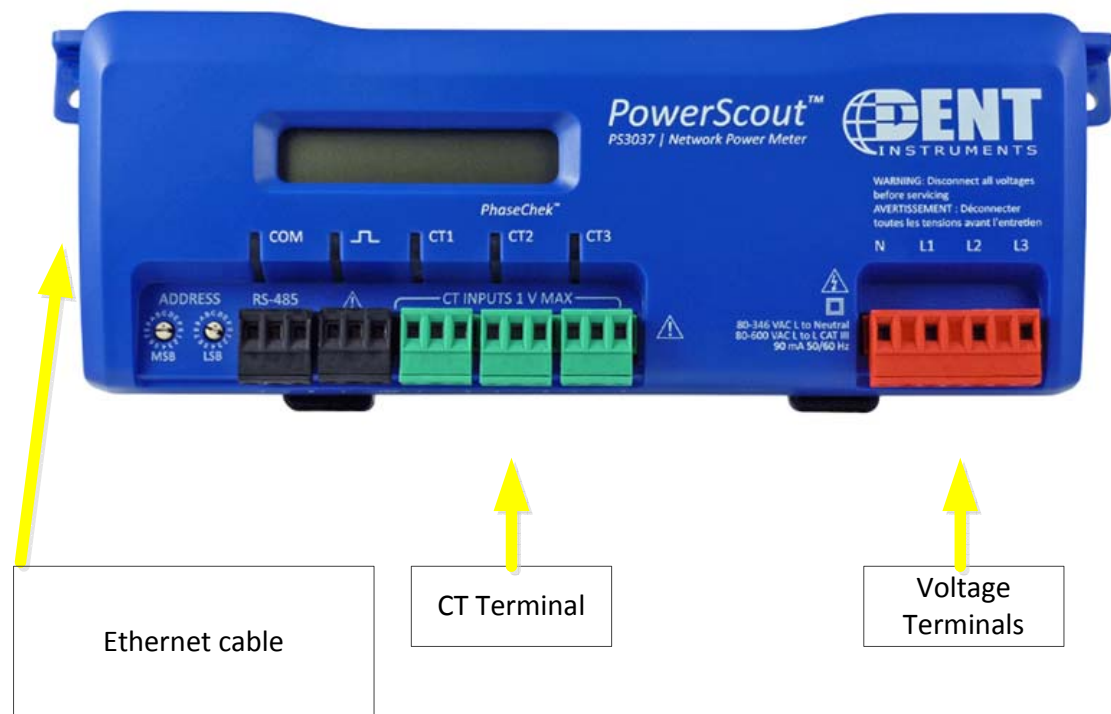
EvControl Panel DENT PowerScout 3037

ELECTRICIAN SHALL:

- A) Install rope CTs on incoming feed conductors. Connect in phase order such that CT on L1 phase connects to terminals label "CT1," etc.
- B) CT leads should be wired to the + and – terminals as shown in table. Note that RoCoils have a shield wire.
- C) Voltage Connections:
 - 1) Connect the voltage leads L1, L2, L3 and N) using 14 AWG THHN Minimum 600VAC rating. POWER DOWN CIRCUITS BEFORE CONNECTING.
- D) CAT 5 cable:
 - 1) Install CAT 5 cable between Edge 534 and Dent meter.
- E) Note that Dent Meter is panel rated and may be located within distribution panel.

CONTROLS VENDOR SHALL:

- F) Provide meter and CTs.
- G) Provide Ethernet net cable.



CT LEAD WIRE COLOR CODE

CT Type	CT Lead +	CT Lead -
Rogowski (RōCoil)	White	Brown

* RōCoils have a shield wire which must be connected to terminal "S".

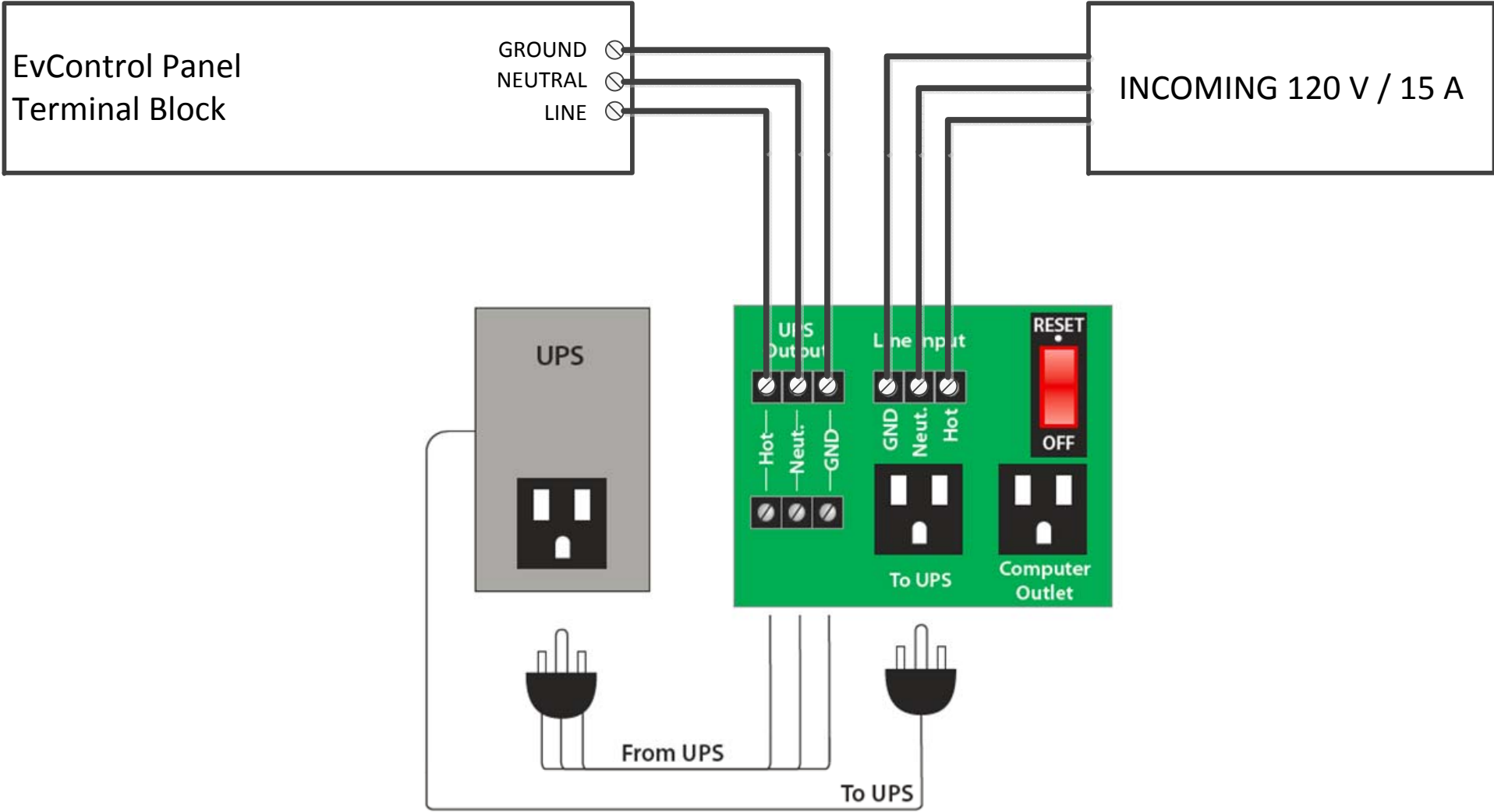


JWA Enterprises dba Control Dynamix
7525 Princeton Trace NE
Atlanta GA 30328
770 335 2635

Page 4 of 6
Prepared by: JAA
5/29/2018

EvControl

Optional UPS Panel Wiring Diagram



JWA Enterprises dba Control Dyanamix
7525 Princeton Trace NE
Atlanta GA 30328
770 335 2635

Page 6 of 6
Prepared by: JAA
9/7/15